



Model: SP24

It couldn't be more simple... the **ShowPar™24** is equipped with **BluControl™** operating software. All ColorVerse pars feature this powerful software, so learn to navigate the ShowPar™24 and you'll instantly be familiar with all ColorVerse pars. It's amazingly easy to use.

The ShowPar™24 is simply the best value available in LED stage lighting. Its loaded with 24 x 1 watt RGB lamps, a 16-bit ultra-smooth dimming processor and a bright, easy to read LCD display. These are features not found on similarly priced LED lights. **BluControl™** allows stand-alone operation with no need for an external controller. The 25° medium-wash beam is comparable to a 300-400 watt halogen par 56. The ShowPar™24 is lightweight, compact and durable making it an excellent choice for mobile or permanent applications.

What is 16-bit Dimming?

Most LED pars have an 8-bit digital dimming processor which produces inferior dimming and cross-fading (visible jittering). However, all ColorVerse pars are equipped with a 16-bit dimming processor capable of 65,000 incremental dimming steps. This produces a far superior, butter-smooth dimming/cross-fading effect.

SPECIFICATIONS:

- 24 x 1 watt, high output RGB LEDs
- **BluControl™** Operating Software:
 - Ultra smooth 16-bit dimming / crossfading
 - LCD display panel for easy address and mode changes
 - 3, 5, or 8 DMX channel mode options
 - DMX controllable mic sensitivity
 - Hours-of-use timer
 - Global calibration of red, green, and blue
- Whisper quiet dual cross-ventilating fans
- Video friendly scan rate
- Double Handles allow for floor stand operation
- Lightweight compact design
- Operate with or without DMX controller
- Internal programs: Static Colors, Gradual Change, Auto, Sound activate, Strobe
- Beam angle: 25° | Field angle: 35°
- Lux: 5390 @ 1m | 760 @ 3m
- LED lifespan 100,000+ hrs (to >75% luminous output, based on manf test data)
- Power / Current: 120V, 60Hz: 46W, .36 A operating
- Weight: 2.9lbs (1.4kg)
- Size: 4.5in deep, x 8.5in wide



24 Watts Output
5500+ LUX



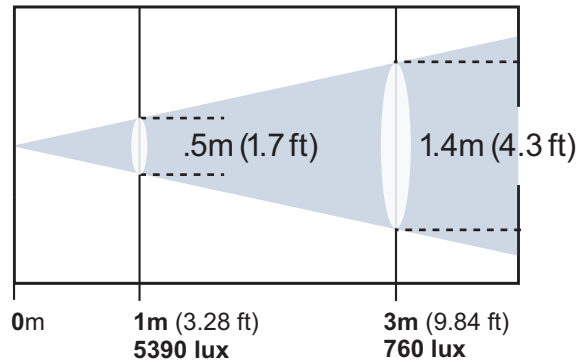
8x1w Red 8x1w Green 8x1w Blue

DMX CHANNEL PROTOCOL

FIXTURE CHANNEL	FUNCTION
Channel 1	MASTER DIMMER
Channel 2	RED
Channel 3	GREEN
Channel 4	BLUE
Channel 5	STROBE
Channel 6	MACROS
Channel 7	MACRO SPEED
Channel 8	16-BIT DIMMING DELAY

PHOTOMETRICS

Standard 25° Beam Angle
Lux measurements at 100% rgb



BluControl™ operating software with LCD display for easy program changes

Perfect for uplighting

The dual-yoke handle folds out of the way and allows the fixture to sit flat on the floor pointing straight up. Also, the DMX/Power connectors are positioned to allow the cabling to run along the floor neat and out of the way.

